

# CornuFé Series Stoves & Cooktops

## CornuFé 90 "Albertine": c9

35.4 W x 25.6 D x 35.8 (36.9 max) H (inches)  
 900 W x 650 D x 910 (937 max) H (mm)  
 315 lb. uncrated, 410 lb. crated  
 High-performance five burner gas cooktop  
 Large electric convection oven  
 Retail for \$6,800

### SPECIFICATIONS:

#### Gas Burners:

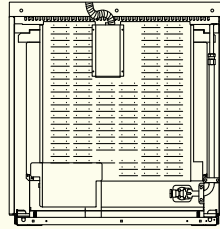
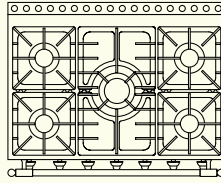
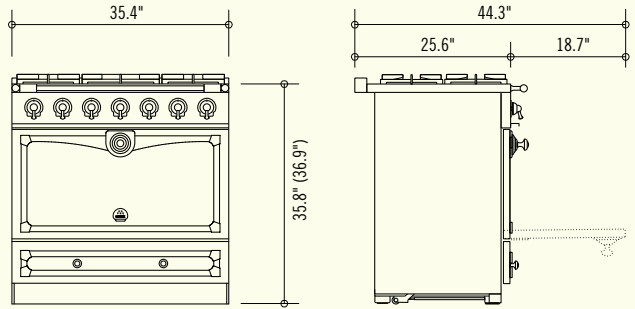
One 17,500 BTU central burner  
 Three 12,000 BTU burners  
 One 6,000 BTU simmer burner (down to 600 BTU)  
 Solid Brass burners equipped with Thermocouple Safety Mechanism  
 90 cm Albertine not available with All-electric cooktop

#### Oven:

Enameled steel door with glass inner door  
 Electric convection oven featuring seven cooking modes  
 Two convection fans, three heating elements  
 One wire rack, one large tray equipped with a grill pan, one pastry tray  
 28.1 W x 15.3 D x 15 H (inches)  
 714 W x 389 D x 381 H (mm)  
 3.81 cubic feet

#### Power and Fuel:

Voltage is 240V 60Hz, 16 AMP  
 Gas connection 1/2 inch NPT at rear left-hand side  
 Natural gas range with propane conversion kit included  
 High-Altitude Kit required for elevations above 5,000 feet  
     Natural Gas High-Altitude Kit "A037977": Retail for \$50  
     Propane High-Altitude Kit "A037982": Retail for \$50



## Hotte CornuFé 90

39.4 W x 25.6 D x 23.2 (41.9 max) H (inches)  
 1000 W x 650 D x 590 (1065 max) H (mm)  
 Traditional wall-mounted, stainless steel hood  
 Two blowers for a total capacity of 900 CFM – unobstructed air flow  
 with Ø8 inches duct  
 Two dishwasher safe baffle grease filters with oil capture system  
 Three 20W halogen high intensity light bulbs  
 Hood has self-adjustable telescopic duct cover which extends  
 to a maximum height of 41.9 inches  
 Remote Control and In-Hood activation controls

#### Power and Fuel:

Voltage is 120V 60Hz, Total rating: 540W, 4.5 AMP

#### HF9:

Stainless steel hood with stainless steel duct cover  
 Retail for \$3,460

#### FRB9:

Gloss Black duct cover  
 Retail for \$370

