

## *1908 Introduction*

**LA CORNUE**



In 2012, the newest La Cornue was born...

# *The CornuFé 1908 by La Cornue*



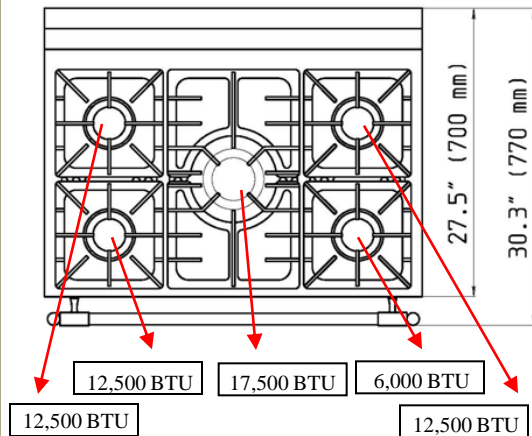
A true culinary product. The patented gas vaulted oven has been paired with the timeless CornuFé cooktop in a true 36" unit for the American market. Designed with the chef in mind, the 1908 is available in seven colors and three trim combinations. Units are in stock at Purcell Murray in California.



# The CornuFé 1908 by La Cornue



- ❖ In Stock at Purcell Murray July 2012
- ❖ 2012 UMRP: \$14,500
- ❖ UL Approved with a Three Year Warranty
- ❖ Equipped for Natural Gas with Included Propane Conversion Kit
- ❖ Altitude Kit available upon order for elevations over 5,000 feet
- ❖ Available Finishes:
  - Seven Body Colors: Gloss Black, Matte Black, Stainless Steel, Ivory White, Pure White, Dark Navy Blue and Provence Blue
  - Three Trim Options: Satin Chrome, Satin Chrome & Polished Brass, Satin Chrome & Polished Copper
- ❖ Dimensions: 36" Wide – 27.5" Deep to Bullnose - Adjustable Height from 35.4" to 36.6" to Cooktop Surface



## **The Cooktop:**

Seamless Stainless Cooktop  
Five High-Performance Gas Burners  
Thermocouple Safety Technology  
Cast Iron, Enamel Coated Grates  
Solid Brass Enamel Capped Burners



## **The Gas Oven:**

La Cornue's signature vaulted oven features an exposed electric broiler and 22,000 BTU in Natural or Propane Gas  
Natural convection heat created by patented vaulted shape; perfect for roasting

Three rack positions

Interior Oven Dimensions: 22.4 x 19.7 x 10.2 in = 2.61 cubic feet

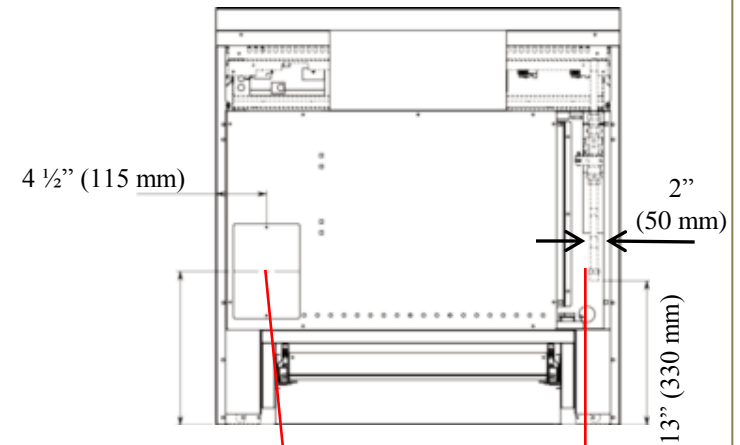
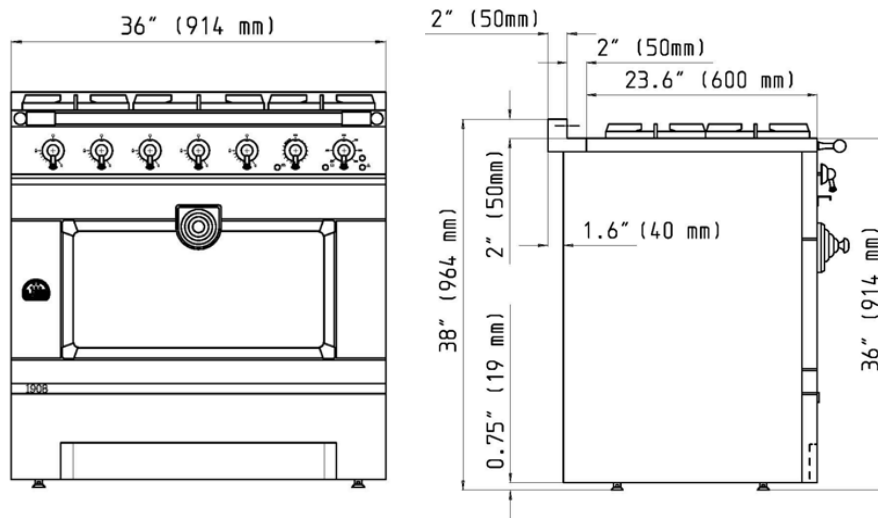
*Oven Accessories:* One Flat Rack, One Pastry Tray, one Mauviel Roasting Pan with trivet

# The CornuFé 1908 by La Cornue



## Dimensions:

- ❖ Dimensions: 36 W × 27.5 D × 36 H (inches) / 914 W × 700 D × 914 H (mm)
- ❖ Interior Oven Dimensions: 22.4 x 19.7 x 10.2 in = 2.61 cubic feet
- ❖ 242 lbs uncrated / 401 lbs crated



## Specifications:

Voltage: 240v; 60 Hz

Power: 2575 W

Intensity: 11A (requires 15 amp circuit breaker)

Power Supply: 1 mm<sup>2</sup> / N° AWG 14

Gas Connection: 1/2 inch NPT at rear **left** -hand side

