

CornuFé Series Stoves & Cooktops

CornuFé 110: c1

43 W x 25.6 D x 35.8 (36.9 max) H (inches)
 1092 W x 650 D x 910 (937 max) H (mm)
 350 lb. uncrated, 465 lb. crated
 High-performance five burner gas cooktop
 Double electric convection ovens
 Retail for \$8,600

SPECIFICATIONS:

Gas Burners:

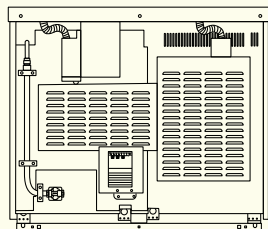
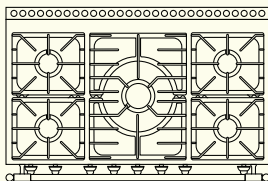
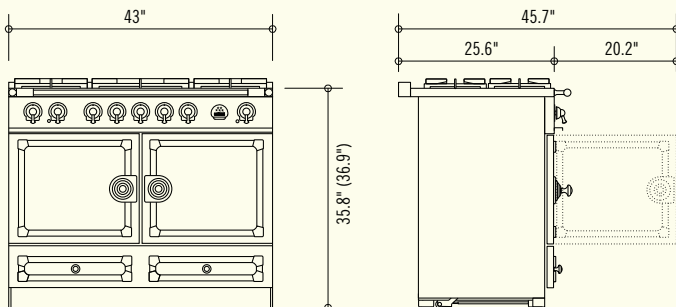
One 17,500 BTU central burner
 Three 12,000 BTU burners
 One 6,000 BTU simmer burner (down to 600 BTU)
 Solid Brass burners equipped with Thermocouple Safety Mechanism

Ovens:

French side-swing enameled steel doors
 Two electric convection ovens, one of which features seven cooking modes
 Four interior oven racks included (two flat racks, two dropped racks)
 Two enamel baking trays and one trivet
 Left Oven: 16.9 W x 15.2 D x 14.9 H (inches)
 429 W x 386 D x 378 H (mm)
 2.2 cubic feet
 Right Oven: 16.9 W x 15.2 D x 16.1 H (inches)
 429 W x 386 D x 409 H (mm)
 2.39 cubic feet

Power and Fuel:

Voltage is 240V 60Hz, 21 AMP
 Gas connection 1/2 inch NPT at rear right-hand side
 Natural gas range with propane conversion kit included
 High-Altitude Kit required for elevations above 5,000 feet
 Natural Gas High-Altitude Kit "A037977": Retail for \$50
 Propane High-Altitude Kit "A037982": Retail for \$50



Hotte CornuFé 110

47.2 W x 25.6 D x 23.2 (41.9 max) H (inches)
 1200 W x 650 D x 590 (1065 max) H (mm)
 Traditional wall-mounted, stainless steel hood
 Two blowers for a total capacity of 900 CFM – unobstructed air flow with Ø8 inches duct
 Two dishwasher safe baffle grease filters with oil capture system
 Three 20W halogen high intensity light bulbs
 Hood has self-adjustable telescopic duct cover which extends to a maximum height of 41.9 inches
 Remote Control and In-Hood activation controls

Power and Fuel:

Voltage is 120V 60Hz, Total rating: 540W, 4.5 AMP

HF1:

Stainless steel hood with stainless steel duct cover
 Retail for \$3,720

FRB1:

Gloss Black duct cover
 Retail for \$370

