

Château Series Ranges & Cooktops

Château 75: CA7

750 W x 700 D x 914 H (mm)
29.5 W x 27.6 D x 36 H (inches)
Approx. 290 lb. uncrated, 600 lb. crated
Choice of 3 top configurations
All-electric range available
Starting from \$21,000

STANDARD FEATURES INCLUDE:

- 1 Vaulted Gas Oven with Electric Broiler *or*
- 1 Vaulted Electric Oven with Electric Broiler

This range can be specified as an All Electric product

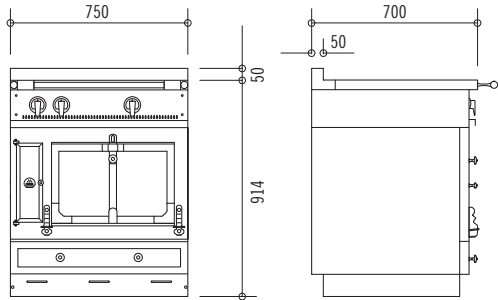
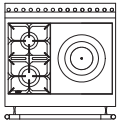
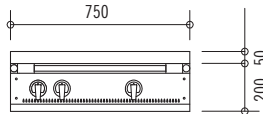


Table Château 75: TA7

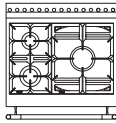
750 W x 700 D x 200 H (mm)
29.5 W x 27.6 D x 7.9 H (inches)
Approx. 130 lb. uncrated, 250 lb. crated
Choice of 3 top configurations
Starting from \$8,000

This cooktop can be specified as an All Electric product



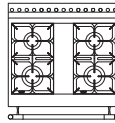
75 US B0

2 Gas Burners
1 French Plaque



75 US B1

2 Gas Burners
1 Power Burner



75 US B2

4 Gas Burners